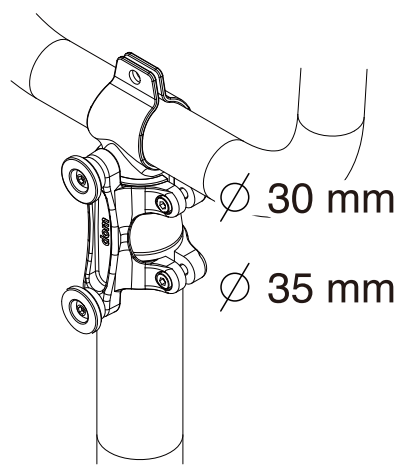
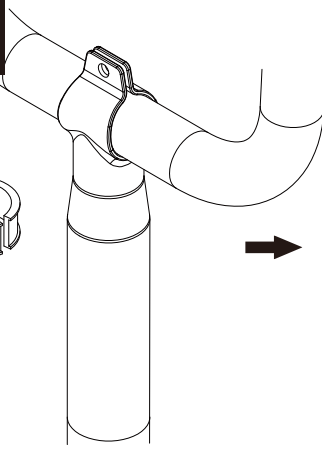
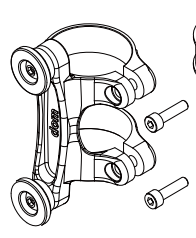


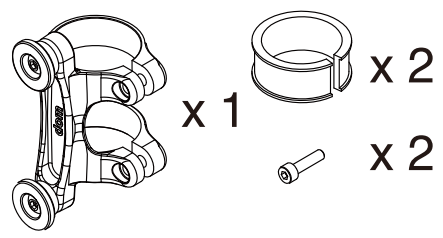
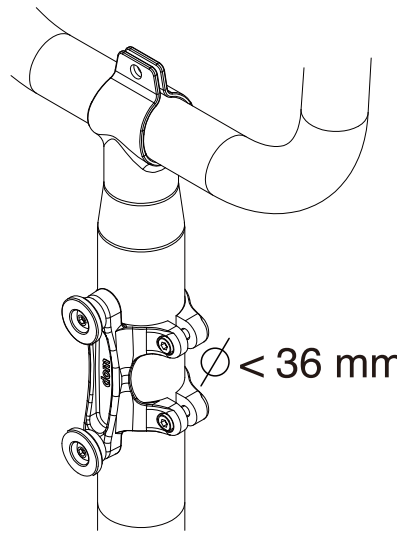
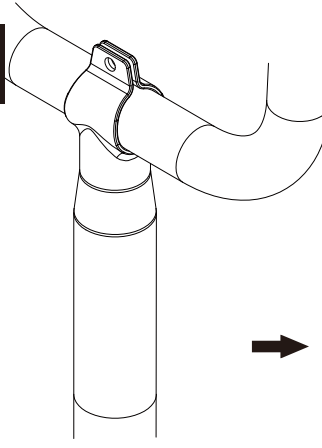
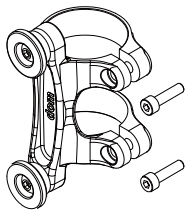
# for Tapered End

Use one TPV pad



# for Others

Use none or two TPV pads



Maximum load : 1.5 kg  
Minimum diameter : 30 mm  
Maximum diameter : 36 mm  
Hexbolts max torque: 2 N.m  
(Don't over tighten the screws)